

TeamBoard T4™ Specifications at a Glance



Design Intent

Easy Does It®: The all-new **TeamBoard T4™** whiteboards sets a new global standard for intuitive, ease of use in the classroom, office, or any other collaboration environment. Direct touch control that responds as expected through the touch of a finger (gloved or not), the touch of a stylus, or the touch of a variable-tip-width tool such as a paintbrush exceeding 5mm width.

By permitting multiple people to interact using multiple points of touch and multiple types of touch, TeamBoard T4 becomes the world's most "Easy Does It" large format human-computer interaction device ever.

At the same time, T4's robust and sensible industrial design will meet the needs of the collaborator (teachers, learners, presenters), the facility manager, and the IT manager.

Get involved

Meets global standards

TeamBoard Draw 6.0 is **Certified to the IMS Global Learning Consortium** common file format for easy interchange of your lesson plans between hardware platforms.

Professional Development

TeamBoard Academy provides a range of professional development courses – on site, by teachers, for teachers. See www.teamboard.com

Technical Training






TeamBoard Academy provides a range of product knowledge and technical training courses for administrators, tech managers, facility managers, and channel partners. See www.teamboard.com

Three Models

T4 is available in three models; T481, T492, T499.
See "Dimensional Details".

Model	OD Diagonal	Aspect Ratio
T481	81"	4:3
T492	92"	16:10
T499	99"	16:9

Five Operating Modes

-  **Interactive Whiteboard**
Full, finger touch Interactive Whiteboard functionality, when board is used with a PC and a projector. Multiuser, multitouch, and MultiForce compliant.
-  **Whiteboard**
When TeamBoard is used with no peripherals, you can still use it as a regular use dry erase whiteboard, because TeamBoard's EVS surface is guaranteed-to-clean. This means you don't lose valuable dry erase real estate when you install a TeamBoard. Professional grade for daily dry erase use.
-  **Projection Screen**
When used with a projector, but not a PC, your TeamBoard is a suitable projection screen thanks to the low-gloss, low-glare EVS surface.
-  **Magnet Board**
The first magnet-compatible TeamBoard. Apply magnets in conjunction with dry erase mode, or when using TeamBoard APEERON Beta software.
-  **Electronic Whiteboard**
When used with a PC, but without a projector, use the board as a dry erase surface, capturing your notes electronically for retention and distribution as jpg, pdf, or other format as your software permits. No Action Bar.

Sensor Specifications

Specifications are for TeamBoard T4 sensor at time of publication. Your PC, software and/or projector specifications may differ.

Sensor type	TeamBoard Solid State optic sensor
Hardware initial touchdown latency	~6ms (Windows 8 requirement: 25ms or faster)
Hardware tracking speed	~6ms (Windows 8 requirement: 15ms or faster)
Multi user compliant	Yes, up to four simultaneous users, one touch per user, no zone constraints
Multitouch compliant	Yes, up to four simultaneous touches
MultiForce® compliant	Yes, with new and improved ramp up and ramp down
Multi input capable	Yes (5mmø); direct finger touch, gloved touch, paintbrush, styles, and more
Palm rejection	Yes
Hardware resolution	200% of “4k” at 16 MP, 4096 x 4096, all models
Pixel Size	~0.4mm average (varies by model)
Frame rate	~80 f/s

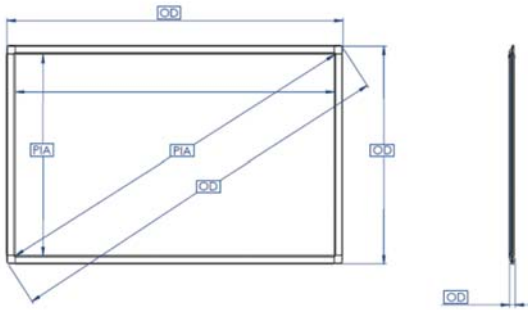
General specifications

- **Certifications**
CE, FCC, UL registered. RoHS compliant.
- **Output Connection** - 1 USB port required.
- **Input** - See “Sensor specification”
- **Power Requirements** 12V 2.5A
- **Power Consumption** ~20 watts
- **Power Conservation Mode** - Yes; T4 automatic sleep mode when inactive, with instant auto-awake upon touch
- **System Requirements (Host PC)** - Driverless in Windows 7® and Windows 8® with full Multitouch and Multiforce® functionality. Mutitouch data is sent to the PC. T4, once connected, runs with NO LOAD on the host PC. Optimal: Windows 7 or 8 with an i3 or better CPU 2 GB RAM.
- **T4 System Requirements for MAC** - T4 connected via USB to a Mac will work driverless as a single touch mouse. However, the projected image must fill the T4 Screen for proper calibration. For multitouch and advanced calibration options, contact TeamBoard technical support.
- **Customization Options** - TeamBoard T4 frame rails may be factory custom-colored to suit any environment. TeamBoard T4 may also be factory-ordered with EganINK™ custom dry erase graphics. Contact customer service or your reseller for details.
- **Warranty** - See Standard Global Warranty on www.teamboard.com.
- **Audio** - No integrated audio. TeamBoard UST Projector 0.19 (sold separately) includes 10W audio. T4 System T Rail offers integrated speaker mounts.
- **Installation Mount Specification**
TeamBoard bolt pattern compliant.
VESA mount compliant.

Hardware Specifications

Board construction	Solid state construction featuring Egan® board foundation, steel-backed with recycled honeycomb core.
Frame	Anodized aluminum
Corners	Cast metal corner rounded on a ½” radius, with cover
Screen Material	Proprietary Egan EVS® is dimensionally stable and moisture- and dust- resistant.
Dry erase compatible	Yes; professional grade and approved for daily use.
Permanent marker safe	Yes. Permanent marker, if used by accident on the writing surface, can be removed easily.
Projection compatible	Yes; EVS is a matte white, low gloss finish
Glare resistant	Yes: EVS is a low glare finish, acceptable for direct-facing projectors and optimized for minimal glare from ambient sunlight
Surface rigidity	High; EVS is laminated to a rigid substrate. No air gap.
Viewing angle	Up to 160°
Magnet Compatible	Yes, in conjunction with dry-erase mode, or when using TeamBoard APEERON Beta.
Temperature Range	Operating: 32°F to 95°F / 0°C to 35°C Storage: -40°F – 120°F (-40°C to 50°C) Change tolerance: slope less than 55°F/hour (25°C/hr)
Humidity Tolerance	Operating: 0%-80% non-condensing Storage: 0%-95% non-condensing
Quality Assurance	TeamBoard has been certified to have implemented and maintained a Quality Management System, and is registered to the ISO9001:2008 standard.
Environmental Compliance	The management systems governing the design and manufacture of this product are ISO14001:2004 certified.
Wallmount Ready	Ships with a fixed-position wallmount bracket for easy installation.
Integrated Stability Bracket	Low profile stability brackets are integrated into system T-rail, providing increased wall mount stability with a low visual profile.
TeamBoard Mount Compliant	Some mounts may require use of adapter or other modification for optimal fit and function. See the entire range of free-standing, mobile, and wallmount installation solutions at www.teamboard.com and contact TeamBoard Tech Support.
VESA Mount Compliant	Secondary bolt pattern in rear of board is industry-standard VESA 800mm x 800mm and 600mm x 600mm compliant, opening up a wide range of third-party installation and mounts

Dimensional Details



		T481		T492		T499	
Aspect Ratio	w/h	4:3		16:10		16:9	
Interactive Whiteboard Outside Dimensions (OD)	Diagonal	80 3/4"	2.05m	92"	2.34m	98 3/4"	2.5m
	Width	65"	1.65m	77 1/2"	1.97m	86 1/2"	2.2m
	Height	50"	1.27m	50"	1.27m	50"	1.27m
	Depth	1 1/4"	33mm	1 1/4"	33mm	1 1/4"	33mm
Active Surface Area or Projected Image Area (PIA)	Diagonal	76 3/4"	1.95m	87"	2.21m	94 3/4"	2.4m
	Width	61"	1.55m	73 3/4"	1.87m	82 1/2"	2.1m
	Height	46 1/4"	1.18m	46 1/4"	1.18m	46 1/4"	1.18m

What's in the box?

- ✓ Your new TeamBoard
- ✓ Board-mounted Marker Tray
- ✓ Egan-approved dry erase markers (AMCI certified non-toxic) (4)
- ✓ MicroFiber EganCloth (1)
- ✓ Wall Mount fixed bracket, aluminum (1)
- ✓ 12V AC power supply (US, interchangeable at brick)
- ✓ USB Cable
- ✓ Cable management clips
- ✓ Site License for TeamBoard DRAW™ software for Windows.
- ✓ Free downloadable updates for DRAW Windows, as released and available

Complementary products, sold separately

Projectors

TeamBoard 0.19 UST Projector

Installation Solutions

- Additional TeamBoard Wallmount fixed z- brackets
- TeamBoard Total Mobile

TeamBoard System T Rail accessories

(Integrate one or more with any T4 model)

- Laptop shelf
- Speakers
- EVS Whiteboards
- Additional cable management clips

Shipping Details	T481	T492	T499
Product Net Weight	52 lbs, 24 kg	60 lbs, 27 kg	66 lbs, 30 kg
Gross Weight	72 lbs, 33 kg	81 lbs, 37 kg	88 lbs, 40 kg
Shipping carton (WxHxD)	75" x 55 3/8" x 2 3/8" 1.9m x 1.4m x 0.07m	87 1/4" x 55 3/8" x 2 3/8" 2.2m x 1.4m x 0.07m	96 1/4" x 55 3/8" x 2 3/8" 2.4m x 1.4m x 0.07m
Harmonization Code	8473 30 5000	8473 30 5000	8473 30 5000
Country of Origin	Canada	Canada	Canada

Designed and manufactured in North America by Egan TeamBoard Inc., leaders in interactive whiteboard solutions since 1994. TeamBoard is part of the Egan Visual family, designers and manufacturers of visual communication products for over 40 years. You can count on TeamBoard products to be well-designed and well-built for years of hassle-free enjoyment.

024G272_R3 10/13:PDF Printed in Canada. © Egan TeamBoard Inc., 2013. All other product names are trademarks of their respective owners. Specifications are nominal and believed to be accurate at the time of publication. All information contained herein is subject to change without notice.



Learn or Buy
teamboard.com
sales@teamboard.com

Connect & Share
youtube.com/eganteamboard
twitter.com/teamboard

Support
 +1-905-851-2826
support@teamboard.com